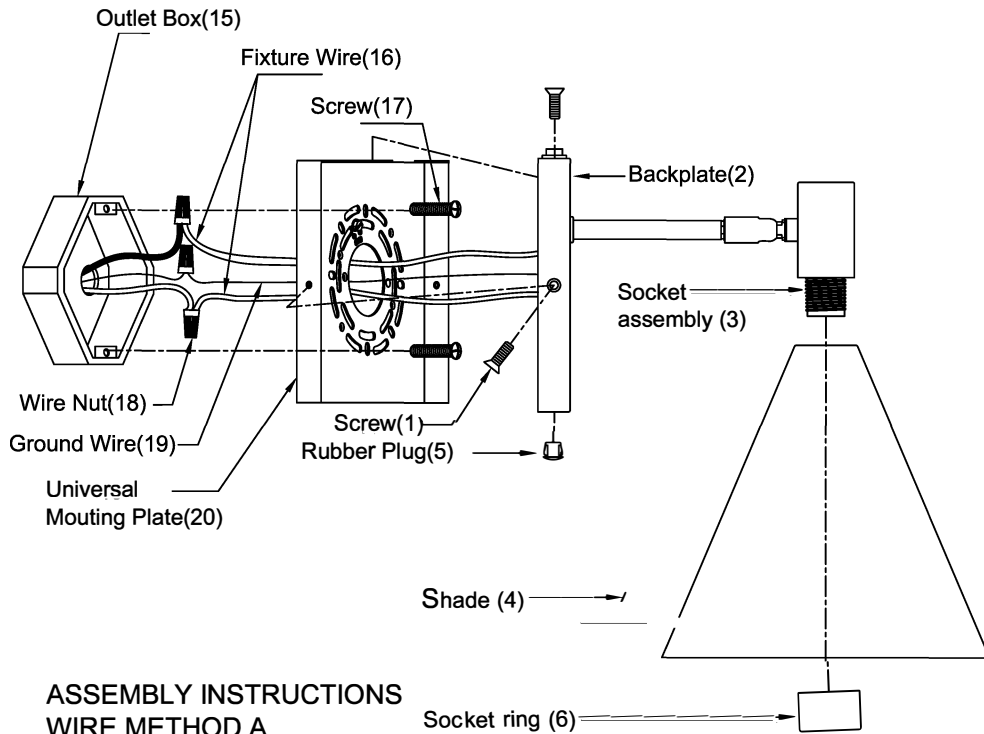
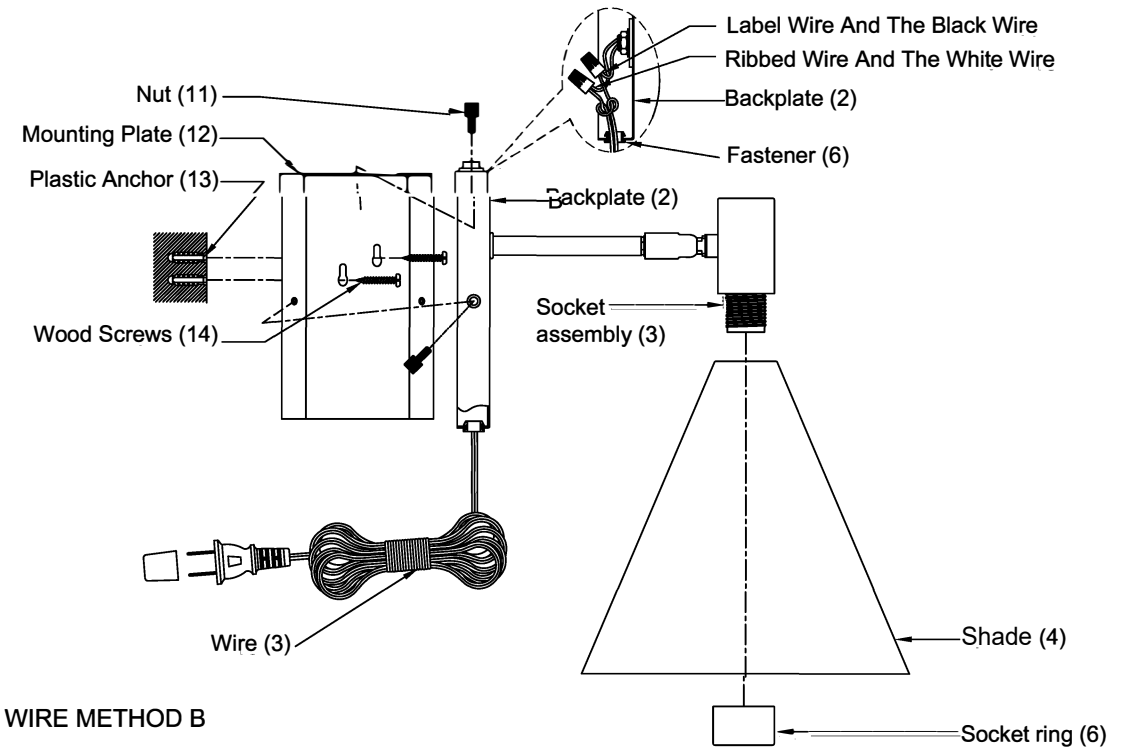


WIRE METHOD A

**ASSEMBLY INSTRUCTIONS
WIRE METHOD A**

1. Carefully unpack and identify all parts referring to illustration for parts identification.
2. Turn the power to the installation point OFF.
3. Secure the universal mounting plate (20) to the outlet box (15) using screw (17).
4. Using the wire nut (18) to connect fixture wires and supply wires, black to black, white to white, and ground to copper/bare.
5. Install the backplate (2) to the wall using the screw (1).
6. Install the shade (4) on the socket (3) and secure with the socket ring (6).
7. Insert the rubber plug (5) into the hole of the backplate (2).
8. Install a proper bulb (not included) into the socket referring to the markings and/or labels on the fixture for maximum wattage.
9. Restore power to the installation point and retain this sheet for future reference.

WIRE METHOD B

WIRE METHOD B

1. Carefully unpack and identify all parts referring to illustration for parts identification.
2. Turn the power to the installation point OFF.
3. Refer to the additional installation instructions included with the product for wiring and installation.
4. Install the shade (4) on the socket (3) and secure with socket ring (6).
5. Install a proper bulb (not included) into the socket referring to the markings and/or labels on the fixture for maximum wattage.
6. Using the mounting plate (12), mark the wall in the position the fixture will be installed. Drill holes where marked and insert the plastic anchors (13).
7. Attach the mounting plate (12) to the wall by inserting the wood screws (14) into the plastic anchors (13).
8. Connect the label wire and the black wire together. Connect the ribbed wire and the white wire together. Use the fastener (6) to bundle the wires.
9. Install the backplate (2) to the mounting plate (12) using the nut (11).
10. Restore power to the installation point and retain this sheet for future reference.