

WARNING - TO REDUCE THE RISK OF FIRE OR INJURY:

1. If you are unfamiliar with electrical wiring, call a qualified electrician to install this unit .More than one person may be necessary to install fixture, make sure you have enough qualified help.
2. Turn off the power to the fixture's circuit at the service panel. Use a voltage detector to verify that the power is off.
3. DO NOT install bulb which exceeds the maximum wattage specified on the socket label.

FRAME INSTALLATION:

NOTE: Carefully unpack frame and crystals and lay them down on a clean soft cloth for identification.

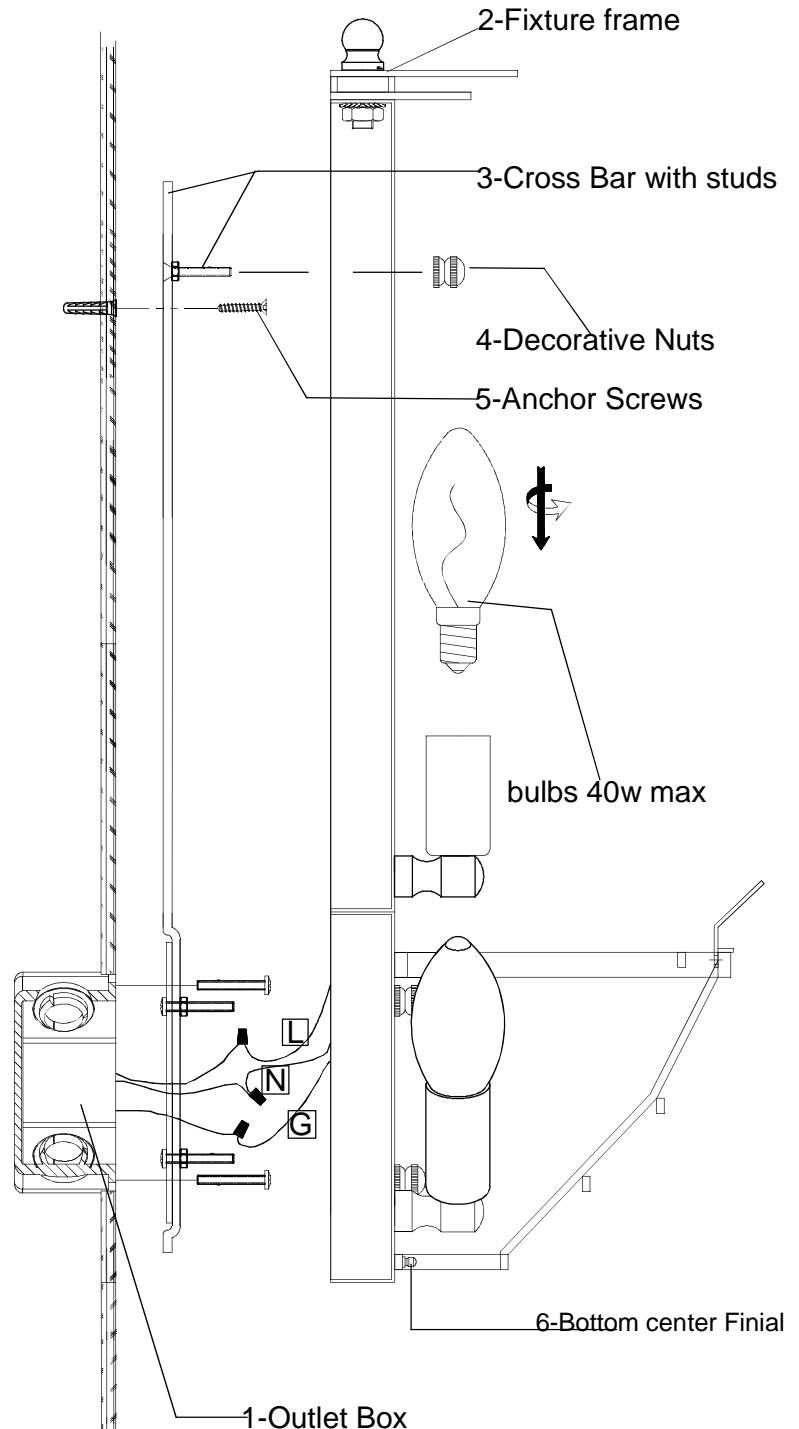
Step 1. Fix fixture crossbar 3 to outlet box 1 with original outlet box screws. Mark top and bottom cross bar slots in the wall, remove crossbar then install anchor screws in the wall.

Step 2. Screw Crossbar 3 to outlet box 1 with original outlet box screws. Make sure crossbar studs are pointing away from wall. Reinforce cross bar with top and bottom anchor screws 5.

Step 3. Get fixture frame a few inches close to wall and connect wires: Connect fixture ribbed wire (L) to power supply black wire. Connect fixture smooth wire (N) to power supply white wire. Connect fixture silver or copper bare wire (G) to power supply green wire.

Step 4. Align fixture back plate holes to crossbar studs 3 and fix it flat to wall, secure fixture with decorative nuts 4, then Install light bulbs. (Krypton 40w bulbs are recommended)

Proceed to install crystal set; follow directions on pages 2 and 3 .



Customer Service: (702) 361-4345, (800) 525-2655, customer.service@kalco.com

CRYSTAL SET INSTRUCTIONS:

Code	Quantity
A	6
B	7
C	9
D	3
E	4
F1	8
F2	9
G	16

Step 1. Carefully unwrap all crystal components and lay them down on a clean soft cloth for identification.

Use inspection gloves (provided) to handle all crystal parts to avoid finger prints marks.

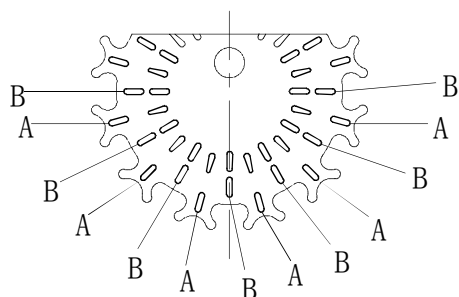
Step 2. Install 9 crystal strands (C) with smaller crystals to the top ring.

Step 3. Use Top View crystal diagram (below) to install 6 crystals (A) and 7 crystals (B) to top of fixture.

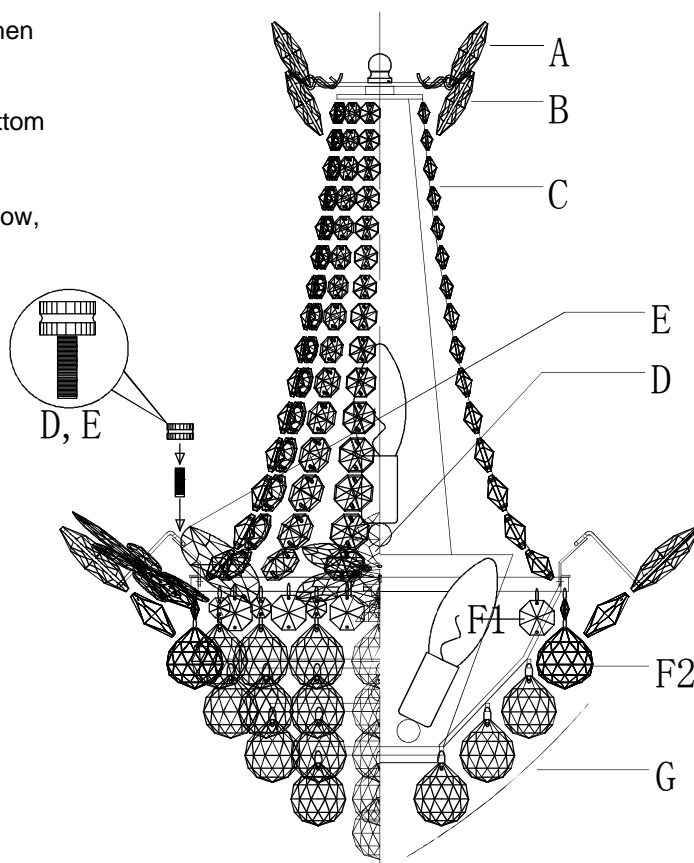
Step 4. Install 16 crystals (G) start from bottom center finial 6. Then 3 rings going up.

Step 5. Install 8 (F1) and 9 (F2) on fourth ring alternated (see Bottom crystal pattern diagram below)

6-Install Crystals (D) and (E) alternated as shown in diagram below, secure them with decorative nuts attached in frame.

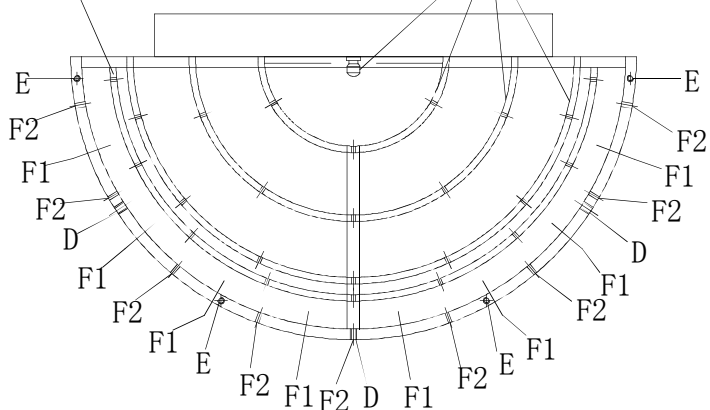


Top View, Top Crystal Pattern

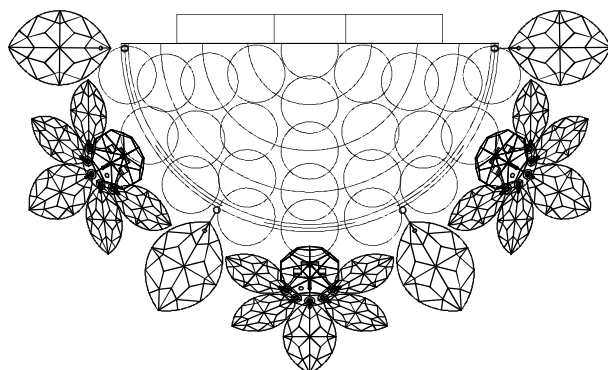


(All holes are for
Crystal strand (C)

(All holes are for
Crystal strand (G)

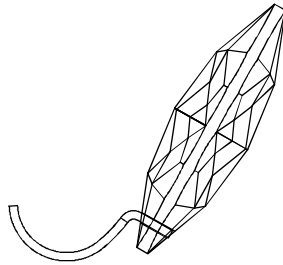


Top View of bottom Crystal Pattern

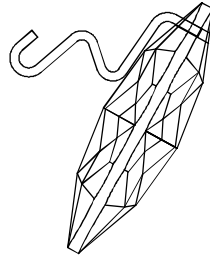


Customer Service: (702) 361-4345, (800) 525-2655, customer.service@kalco.com

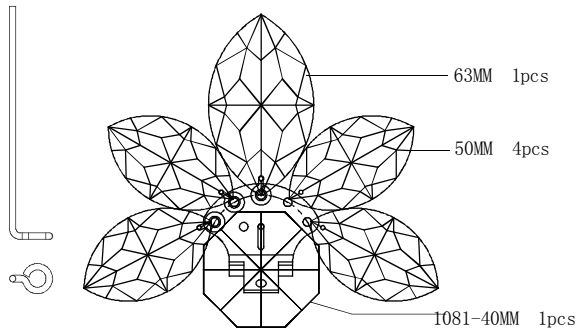
CRYSTAL SET DIAGRAM



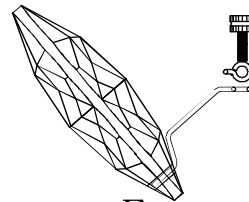
A 50MM



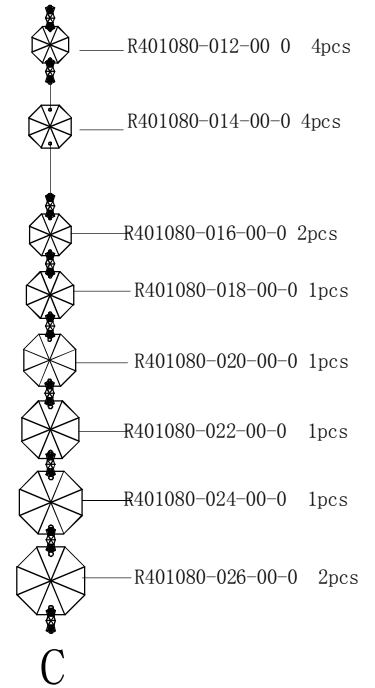
B 50MM



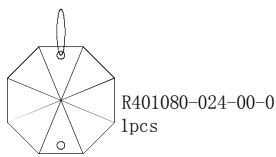
D



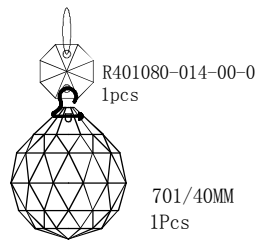
E 89MM



C

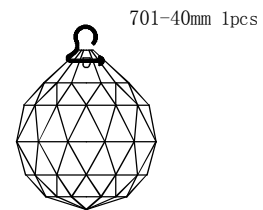


F1



F2

701/40MM
1Pcs



G